

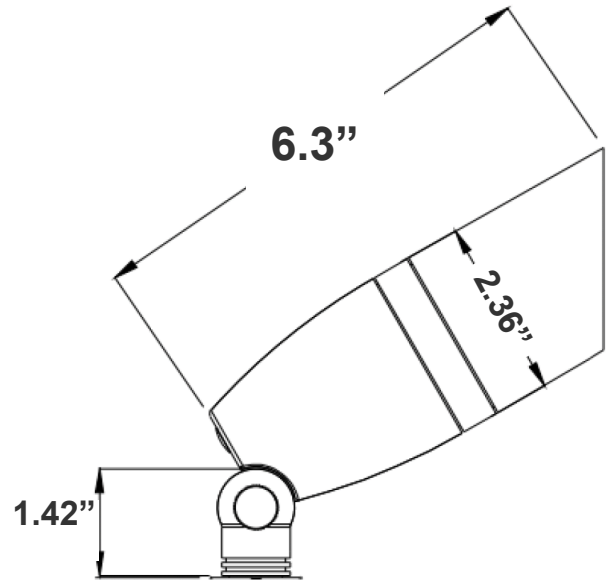
# AD SERIES OUTDOOR LIGHTING

AD-018-MCT-BK  
AD-018-MCT-ORB  
AD-018-MCT-AZ  
12V 7W LED NEW GENERATION ALUMINUM SPOT LIGHT  
**MCT** Multi Color Temperature (Selectable)

Customer Name: \_\_\_\_\_  
Project Name: \_\_\_\_\_  
Note: \_\_\_\_\_ | Type: \_\_\_\_\_



The 12V 7W LED New Generation Aluminum Spot Light is a high-performance outdoor lighting solution designed for energy efficiency and durability. Featuring a robust aluminum housing, it provides focused, high-lumen illumination ideal for accenting landscapes, architectural details, and outdoor spaces. This low-voltage fixture ensures reliable performance with minimal energy consumption, offering long-lasting brightness while reducing maintenance. Perfect for residential and commercial applications, its compact design blends seamlessly into any environment while delivering superior lighting quality.



6.3"(L) X 2.36"(D) X 1.42"(W)

## Features

- Die-cast Aluminum Housing with Powder Coat Finish
- 1/2" Threaded Knuckle Stem
- 7-Year Warranty
- Lens Type: Plaid Tempered Glass + Aluminum Reflectors

## Technical Specifications

### Electrical:

- Voltage: 12V
- Power Factor: >0.92
- Wattage: 7W
- Efficacy: 85 LPW

### Mechanical:

- Die-cast Aluminum Housing with Powder Coat Finish
- Finish: Black or Oil-Rubbed Bronze or Brass Simulation
- 2FT. STP-2 18AWG lead wire
- 8-1/2" Non-metallic Spike
- Silicon-filled Wire Nuts
- Rotatable Shroud with Set Screw
- Operating Temperature: -40°F to 104°F
- IP65 Suitable for Wet Locations
- 7-Year Warranty

### Lighting:

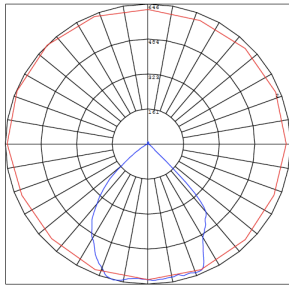
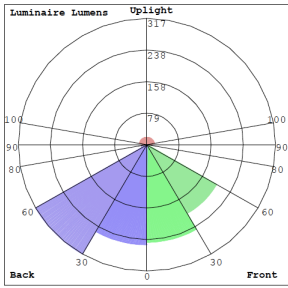
- Integrated LED
- Lens: Flat Glass Lens
- Total Lumens: 600 LM
- Color Temperatures: 3000K/4000K/5000K
- Color Rendering Index: CRI ≥ 80
- Beam Angle: 90°

### Applications:

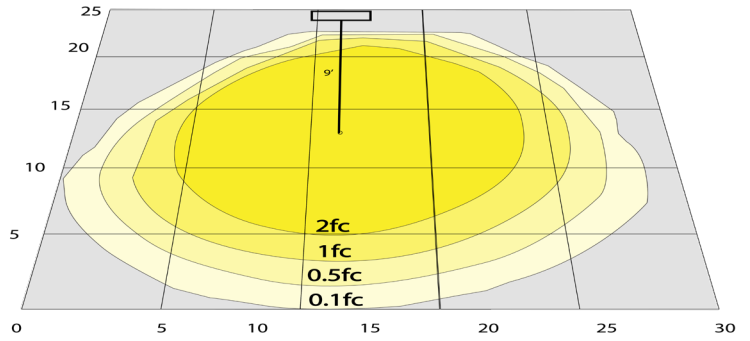
- The 12V 7W LED New Generation Aluminum Spot Light is ideal for landscape lighting, architectural accents, signage illumination, and security lighting. It provides energy-efficient, focused illumination for residential and commercial outdoor spaces, enhancing aesthetics, safety, and visibility.



## Photometrics: AD-018-MCT



BUG Rating: B1-U2-G0



Area 25'x 30' Mounting Height: 9'

## Other Views:

AD-018-MCT-BK



Side View



Front View

AD-018-MCT-ORB



Side View



Front View

AD-018-MCT-AZ



Side View



Front View

## Performance Table: AD-018-MCT

MODEL NO.	Wattage	Voltage	Lumens	Color Temp.	BUG Rating	LPW
AD-018-MCT-BK	12W	12V	600LM	3000K	B1-U2-G0	85
AD-018-MCT-ORB				4000K		
AD-018-MCT-AZ				5000K		

## Sample Ordering

**Model**    **Volt**    **Color Temp.**    **Color**  
 -  -  -

BK = Black  
 ORB = Oil-Rubbed Bronze  
 AZ = Brass Simulation

## ACCESSORIES:



Silicon-filled Wire Nuts    2ft. SPT-2 18AWG Lead Wire    8-1/2" Non-metallic Spike

